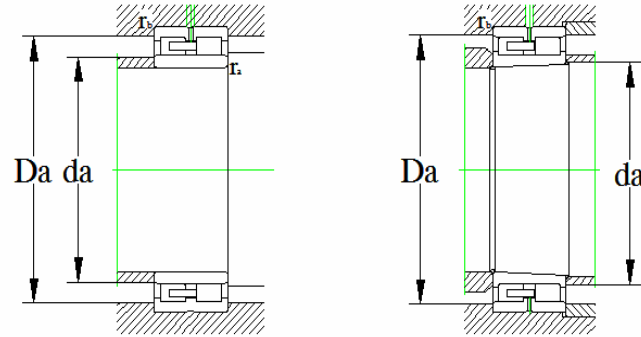
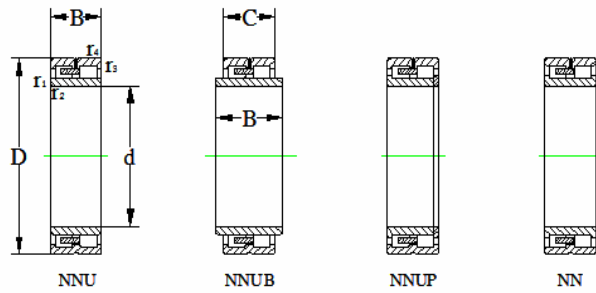
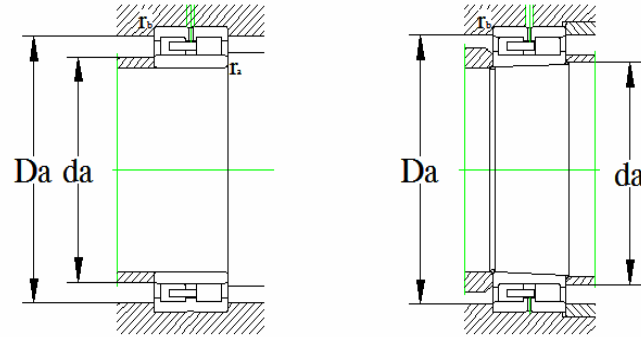
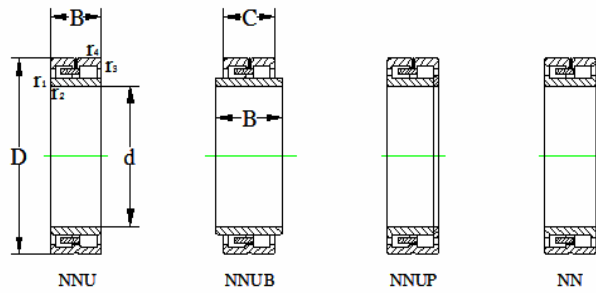


双列圆柱滚子轴承 (Double-Row Cylindrical Roller Bearings)



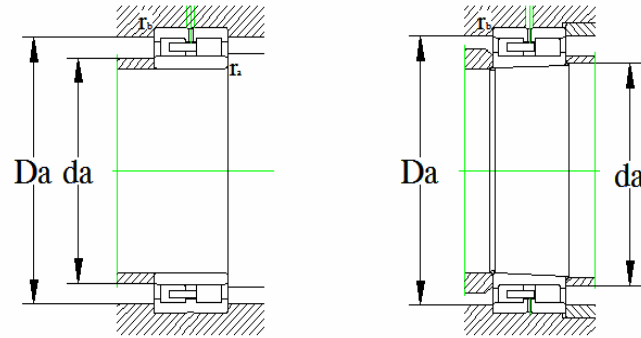
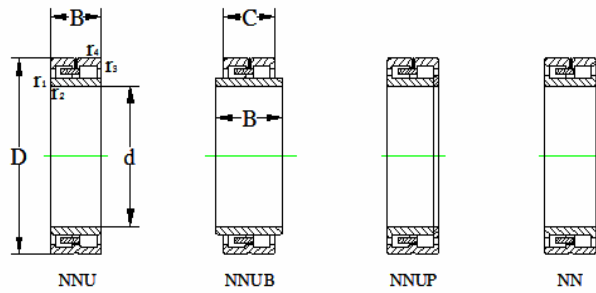
基本尺寸 (mm) Boundary Dimensions					基本额定载荷 (kN) Basic Load Ratings		极限转速 (rpm) Speed Ratings	轴承代号 Bearing Numbers		相关安装尺寸 (mm) Abutment and Fillet Dimensions				质量 (kg) Mass (参考) Refer.
d	D	B/C	r _{1,2min}	r _{3,4min}	Cr	C _{or}		圆柱孔内径 Cylindrical bore	圆锥孔内径 Tapered bore	d _{amax}	D _{amax}	r _{amax}	r _{bmax}	
100	140	30	1.1	1.1	106	182	6300	NN3920	NN3920K	109	131	1	1	1.32
	140	40	1.1	1.1	128	255	6300	NNU4920	NNU4920K	111	133.5	1	1	1.90
	140	40	1.1	1.1	128	255	6300	NN4920	NN4920K	109	131	1	1	1.76
	140	70/40	1.1	1.1	128	255	4800	NNUB4920-70	-	111	133.5	1	1	2.50
	140	80/40	1.1	1.1	128	255	4800	NNUB4920-80	-	111	133.5	1	1	2.65
	150	37	1.5	1.5	151	250	6000	NN3020	NN3020K	111	142	1.5	1.5	2.20
	165	52	1.1	1.1	234	360	3600	NN3120	-	109	155	1	1	4.38
	165	52	2	2	234	360	3600	NNU3120	-	112	152	2	2	4.39
	165	65	2	2	358	570	3600	NNU4120	NNU4120K30	114	155	2	2	5.50
	105	145	40	1.1	1.1	130	260	6000	NNU4921	NNU4921K	116	138.5	1	1
145		40	1.1	1.1	130	260	6000	NN4921	-	114	136	1	1	2.0
160		41	2	2	190	305	5600	NNU3021	NNU3021K	-	150	2	2	2.80
160		41	2	2	190	305	5600	NN3021	NN3021K	117	147	2	2	2.88
175		69	2	2	413	670	3400	NNU4121	NNU4121K30	120	165	2	2	6.70
110	150	30	1.1	1.1	114	207	6000	NN3922	NN3922K	119	141	1	1	1.41
	150	40	1.1	1.1	132	270	6000	NNU4922	NNU4922K	121	143.5	1	1	2.05
	150	40	1.1	1.1	132	270	6000	NN4922	NN4922K	119	141	1	1	2.1
	150	55/40	1.1	1.1	132	270	4500	NNUB4922	-	121	143.5	1	1	2.40
	170	45	2	2	220	360	5300	NN3022	NN3022K	-	160	2	2	3.55
	170	45	2	2	220	360	5300	NNU3022	-	122	157	2	2	3.74
	180	56	1.1	1.1	290	450	3200	NN3122	-	119	170	1	1	5.4
	180	69	2	2	418	710	3200	NNU4122	NNU4122K30	125	170	2	2	6.95
120	165	34	1.1	1.1	138	251	5300	NN3924	NN3924K	130	155	1	1	2.02
	165	45	1.1	1.1	176	340	5300	NNU4924	NNU4924K	133	158.5	1	1	2.80
	165	45	1.1	1.1	176	340	5300	NN4924	NN4924K	130	155	1	1	2.87
	180	46	2	2	229	390	5000	NN3024	NN3024K	-	170	2	2	3.85

双列圆柱滚子轴承 (Double-Row Cylindrical Roller Bearings)



基本尺寸 (mm) Boundary Dimensions					基本额定载荷 (kN) Basic Load Ratings		极限转速 (rpm) Speed Ratings	轴承代号 Bearing Numbers		相关安装尺寸 (mm) Abutment and Fillet Dimensions				质量 (kg) Mass (参考) Refer.	
d	D	B/C	r _{1,2min}	r _{3,4min}	Cr	C _{or}		圆柱孔内径 Cylindrical bore	圆锥孔内径 Tapered bore	d _{amax}	D _{amax}	r _{amax}	r _{bmax}		
120	180	46	2	2	229	390	5000	NNU3024	-	132	167	2	2	4.07	
	200	62	2	2	355	550	3000	NN3124	NN3124K	132	167	2	2	7.72	
	200	80	2	2	523	865	3000	NNU4124	NNU4124K30	137	190	2	2	11.0	
	215	130/10C2×60°	1.1	1.1	704	1120	2200	NNUB4224X2-130	-	137	209.5	1	1	15.5	
130	165	35	1	1	107	238	5000	NN4826	-	138	156	1	1	1.82	
	180	37	1.5	1.5	173	325	4800	NN3926	NN3926K	141	168	1.5	1.5	2.59	
	180	50	1.5	1.5	187	390	4800	NNU4926	NNU4926K	144	172	1.5	1.5	3.85	
	180	50	1.5	1.5	187	390	4800	NN4926	NN4926K	141	169	1.5	1.5	3.84	
	200	52	1.1	2	284	475	4500	NN3026	NN3026K	-	190	2	2	5.75	
	200	52	2	2	284	475	4500	NNU3026	NNU3026K	142	187	2	2	5.92	
	210	64	2	2	360	580	2800	NNU3126	-	142	196	2	2	8.49	
	210	80	2	1.1	561	965	2800	NNU4126	NNU4126K30	148	200	2	2	10.5	
140	190	37	1.5	1.5	201	375	4500	NN3928	NN3928K	151	179	1.5	1.5	2.78	
	190	50	1.5	1.5	190	400	4500	NNU4928	NNU4928K	154	182	1.5	1.5	4.10	
	190	50	1.5	1.5	190	400	4500	NN4928	NN4928K	151	179	1.5	1.5	4.07	
	210	53	2	2	297	520	4300	NN3028	NN3028K	-	200	2	2	6.20	
	210	53	2	2	297	520	4300	NNU3028	-	152	196	2	2	6.38	
	225	68	2.1	2.1	400	650	2600	NN3128	-	155	209	2	2	10.1	
	225	68	2.1	2.1	400	650	2600	NNU3128	-	155	209	2	2	10.3	
	225	85	2.1	2.1	627	1040	2600	NNU4128	NNU4128K30	158	214	2	2	13.0	
	150	190	40	1.1	1.1	194	450	4500	NN4830	NN4830K	-	182.5	1	1	2.75
		210	45	2	2	262	490	4300	NN3930	NN3930K	163	196	2	2	4.47
210		60	2	2	330	655	4300	NNU4930	NNU4930K	166	200	2	2	6.25	
210		60	2	2	330	655	4300	NN4930	NN4930K	163	196	2	2	6.36	
225		56	2.1	2.1	330	570	4000	NN3030	NN3030K	-	214	2	2	7.50	
225		56	2.1	2.1	330	570	4000	NNU3030	-	165	209	2	2	7.81	

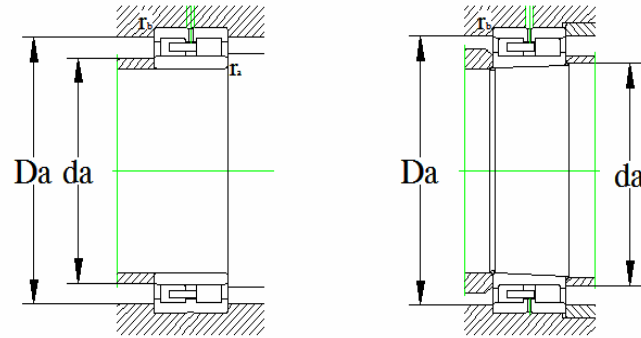
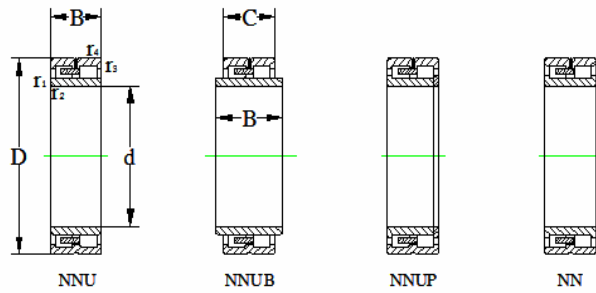
双列圆柱滚子轴承 (Double-Row Cylindrical Roller Bearings)



基本尺寸 (mm) Boundary Dimensions					基本额定载荷 (kN) Basic Load Ratings		极限转速 (rpm) Speed Ratings	轴承代号 Bearing Numbers		相关安装尺寸 (mm) Abutment and Fillet Dimensions				质量 (kg) Mass (参考) Refer.
d	D	B/C	r _{1,2min}	r _{3,4min}	Cr	C _{or}		圆柱孔内径 Cylindrical bore	圆锥孔内径 Tapered bore	d _{amax}	D _{amax}	r _{amax}	r _{bmax}	
150	250	80	2.1	2.1	535	860	2400	NN3130	-	165	234	2	2	15.4
	250	100	2.1	2.1	748	1290	2400	NNU4130	NNU4130K30	174	239	2	2	18.0
160	200	40	1	1	150	355	4000	NN4832	-	169	191	1	1	2.95
	220	45	2	2	271	520	4000	NN3932	NN3932K	173	206	2	2	5.02
	220	60	2	2	330	680	4000	NNU4932	NNU4932K	176	210	2	2	6.60
	220	60	2	2	330	680	4000	NN4932	NN4932K	173	206	2	2	6.77
	240	60	2.1	2.1	369	655	3800	NN3032	NN3032K	-	229	2	2	9.10
	240	60	2.1	2.1	369	655	3800	NNU3032	-	175	224	2	2	9.48
	240	80	2.1	2.1	510	985	3800	NN4032	NN4032K	175	224	2	2	12.7
	240	80	2.1	2.1	510	985	3800	NNU4032	-	175	224	2	2	12.7
	270	86	2.1	2.1	620	1000	2200	NN3132	-	175	253	2	2	19.8
	270	109	2.1	2.1	935	1530	2200	NNU4132	NNU4132K30	185	259	2	2	25.0
170	230	45	2	2	280	550	3800	NN3934	NN3934K	183	216	2	2	5.01
	230	60	2	2	336	695	3800	NNU4934	NNU4934K	186	220	2	2	6.95
	230	60	2	2	336	695	3800	NN4934	NN4934K	183	216	2	2	7.13
	230	80	2	2	550	1180	2800	NNU5934	-	183	220	2	2	9.55
	260	67	2.1	2.1	450	805	3400	NN3034	NN3034K	-	249	2	2	12.5
	260	67	2.1	2.1	450	805	3400	NNU3034	NNU3034K	185	244	2	2	12.9
	280	88	2.1	2.1	635	1050	2000	NN3134	-	185	263	2	2	21.1
	280	88	2.1	2.1	635	1050	2000	NNU3134	-	185	263	2	2	21.4
	280	109	2.1	2.1	968	1630	2000	NNU4134	NNU4134K30	195	269	2	2	26.0
	180	225	45	1	1	225	535	2200	NN4836	-	189	215	1	1
250		52	2	2	340	655	3400	NN3936	NN3936K	193	236	2	2	7.2
250		69	2	2	402	850	3400	NNU4936	NNU4936K	199	240	2	2	10.5
250		69	2	2	402	850	3400	NN4936	NN4936K	193	236	2	2	10.4
280		74	2.1	2.1	561	1000	3200	NN3036	NN3036K	-	269	2	2	16.5

双列圆柱滚子轴承 (Double-Row Cylindrical Roller Bearings)

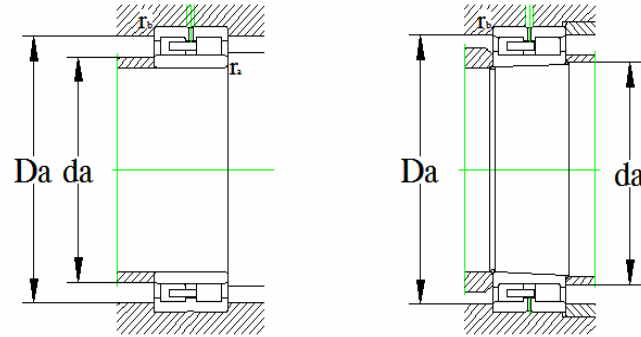
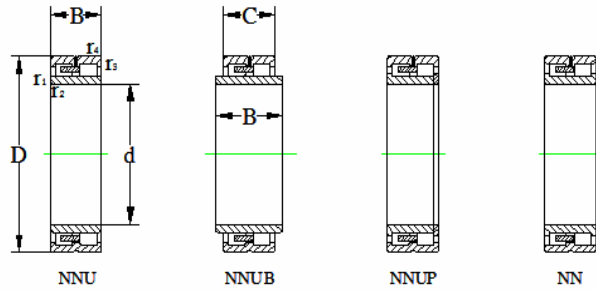
WRT



基本尺寸 (mm) Boundary Dimensions					基本额定载荷 (kN) Basic Load Ratings		极限转速 (rpm) Speed Ratings	轴承代号 Bearing Numbers		相关安装尺寸 (mm) Abutment and Fillet Dimensions				质量 (kg) Mass (参考) Refer.	
d	D	B/C	r _{1,2min}	r _{3,4min}	Cr	C _{or}		圆柱孔内径 Cylindrical bore	圆锥孔内径 Tapered bore	d _{amax}	D _{amax}	r _{amax}	r _{bmax}		
180	280	74	2.1	2.1	561	1000	3200	NNU3036	-	195	263	2	2	16.9	
	300	118	3	3	1080	1830	1900	NNU4136	NNU4136K30	208	287	2.5	2.5	32.5	
	320	104	3	3	840	1420	1800	NN3138	-	208	300	2.5	2.5	33.8	
190	260	69	2	2	402	880	3200	NNU4938	NNU4938K	209	250	2	2	11.0	
	290	75	2.1	2.1	594	1080	3000	NNU3038	-	206	273	2	2	17.9	
	290	75	2.1	2.1	594	1080	3000	NN3038	NN3038K	-	279	2	2	17.0	
	290	100	2.1	2.1	825	1640	3000	NN4038	-	206	273	2	2	24	
	320	128	3	3	1320	2200	1800	NNU4138	NNU4138K30	219	307	2.5	2.5	41.0	
	200	250	50	1.5	1.5	242	600	2400	NNU4840	NNU4840K	212	242	1.5	1.5	5.75
200	280	60	2.1	2.1	420	815	3000	NN3940	NN3940K	216	263	2	2	10.6	
	280	80	2.1	2.1	484	1040	3000	NNU4940	NNU4940K	222	269	2	2	15.0	
	280	80	2.1	2.1	484	1040	3000	NN4940	NN4940K	216	263	2	2	15.3	
	310	82	2.1	2.1	644	1140	2000	NN3040	NN3040K	-	299	2	2	22.0	
	310	82	2.1	2.1	644	1140	2000	NNU3040	NNU3040K	216	293	2	2	22.9	
	310	109	2.1	2.1	890	1730	2000	NN4040	NN4040K	216	293	2	2	30.4	
	310	115	2.1	2.1	1010	1860	2000	NNU4040X2	-	225	299	2	2	31.5	
	340	140	3	3	1470	2550	1700	NNU4140	NNU4140K30	231	327	2.5	2.5	51.0	
	220	300	60	2.1	2.1	440	895	2800	NN3944	NN4944K	236	283	2	2	11.4
		300	80	2.1	2.1	512	1140	2800	NNU4944	NNU4944K	242	289	2	2	16.5
300		80	2.1	2.1	512	1140	2800	NN4944	NN4944K	236	283	2	2	16.6	
300		100	2.1	2.1	897	1930	2200	NNU5944X2	-	236.5	289	2	2	20.5	
340		90	3	3	809	1460	2600	NN3044	NN3044K	-	327	2.5	2.5	28.5	
340		90	3	3	809	1460	2600	NNU3044	-	238	320	2.5	2.5	30	
340		118	3	3	1190	2400	2600	NN4044	NN4044K	238	320	2.5	2.5	39.8	
370		120	4	4	1050	1810	1500	NN3144	-	241	346	3	3	51.9	
370		120	4	4	1050	1810	1500	NNU3144	-	241	346	3	3	52.3	
370		150	4	4	1650	2900	1500	NNU4144	NNU4144K30	254	354	3	3	65.0	

双列圆柱滚子轴承 (Double-Row Cylindrical Roller Bearings)

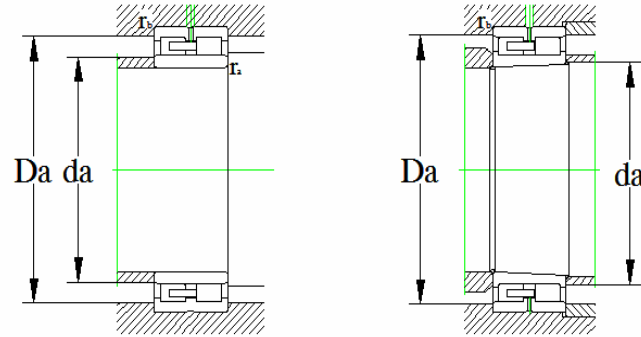
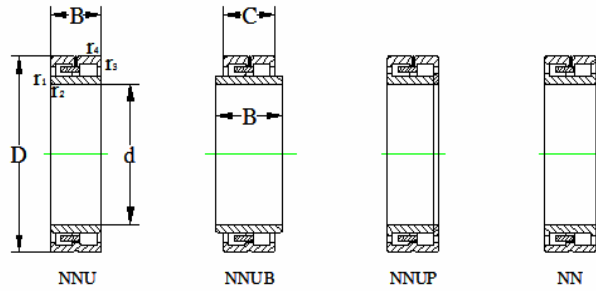
WRT



基本尺寸 (mm) Boundary Dimensions					基本额定载荷 (kN) Basic Load Ratings		极限转速 (rpm) Speed Ratings	轴承代号 Bearing Numbers		相关安装尺寸 (mm) Abutment and Fillet Dimensions				质量 (kg) Mass (参考) Refer.	
d	D	B/C	r _{1,2min}	r _{3,4min}	Cr	C _{or}		圆柱孔内径 Cylindrical bore	圆锥孔内径 Tapered bore	d _{amax}	D _{amax}	r _{amax}	r _{bmax}		
240	300	60	2	2	358	930	2200	NNU4848	NNU4848K	255	290	2	2	9.90	
	300	60	1.1	1.1	358	930	2200	NN4848	-	252	287	1	1	9.77	
	320	60	2.1	2.1	460	975	2600	NN3948	NN3948K	257	302	2	2	12.2	
	320	80	2.1	2.1	528	1220	2600	NNU4948	NNU4948K	262	309	2	2	17.5	
	320	80	2.1	2.1	528	1220	2600	NN4948	NN4948K	257	302	2	2	17.9	
	320	100	2.1	2.1	880	1960	1400	NNU5948X2	-	255	293	2	2	22.5	
	360	92	3	3	842	1560	2400	NN3048	NN3048K	-	347	2.5	2.5	32.0	
	360	92	3	3	842	1560	2400	NNU3048	NNU3048K	259	340	2.5	2.5	30.8	
	360	118	3	3	1240	2600	2400	NN4048	NN4048K	259	340	2.5	2.5	39.3	
	360	118	3	3	1240	2600	2400	NNU4048	-	259	340	2.5	2.5	42.7	
	400	128	4	4	1170	2040	1400	NN3148	NN3148K	262	376	3	3	64.2	
	400	160	4	4	1980	3650	1400	NNU4148	NNU4148K30	278	384	3	3	85.0	
260	360	75	2.1	2.1	670	1380	2400	NN3952	NN3952K	277	342	2	2	21.4	
	360	100	2.1	2.1	748	1700	2400	NNU4952	NNU4952K	288	349	2	2	30.5	
	360	100	2.1	2.1	748	1700	2400	NN4952	NN4952K	277	342	2	2	28.3	
	360	102	2.1	2.1	990	2200	1800	NNU4952X2	-	283	349	2	2	32.0	
	400	104	4	4	1020	1930	2200	NNU3052	NN3052K	-	384	3	3	46.0	
	400	104	4	4	1030	1920	2200	NN3052	NN3052K	282	376	3	3	47.7	
	400	140	4	4	1550	3150	1500	NNU4052	NNU4052K	289	384	3	3	63.5	
	400	140	4	4	1550	3150	1500	NN4052	NN4052K	282	376	3	3	59.7	
	440	144	4	4	1480	2660	1300	NN3152	NN3152K	282	415	3	3	89.1	
	440	180	4	4	2200	3900	1300	NNU4152	NNU4152K30	300	424	3	3	110	
	280	350	69	2	2	445	1160	1700	NNU4856	NNU4856K	298	340	2	2	15.5
		350	69	1.1	1.1	445	1160	1700	NN4856	-	293	336	1	1	15.3
380		75	2.1	2.1	695	1460	2200	NN3956	NN3956K	297	361	2	2	22.7	
380		100	2.1	2.1	765	1800	2200	NNU4956	NNU4956K	308	369	2	2	32.5	
380		100	2.1	2.1	765	1800	1600	NNUP4956	-	-	369	2	2	33.5	

双列圆柱滚子轴承 (Double-Row Cylindrical Roller Bearings)

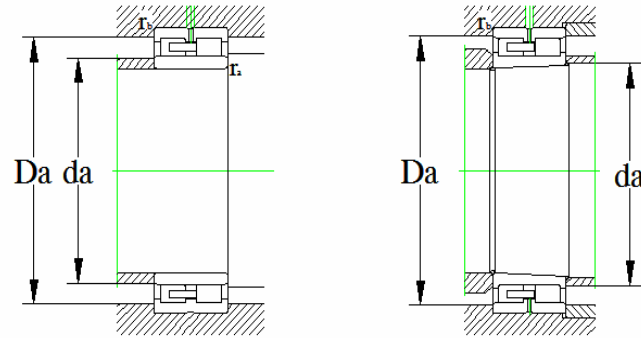
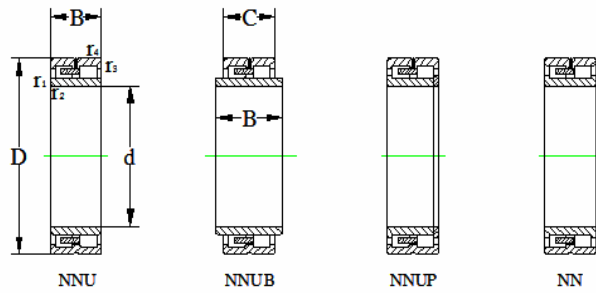
WRT



基本尺寸 (mm) Boundary Dimensions					基本额定载荷 (kN) Basic Load Ratings		极限转速 (rpm) Speed Ratings	轴承代号 Bearing Numbers		相关安装尺寸 (mm) Abutment and Fillet Dimensions				质量 (kg) Mass (参考) Refer.
d	D	B/C	r _{1,2min}	r _{3,4min}	Cr	C _{or}		圆柱孔内径 Cylindrical bore	圆锥孔内径 Tapered bore	d _{amax}	D _{amax}	r _{amax}	r _{bmax}	
280	380	100	2.1	2.1	765	1800	1600	NN4956	NN4956K	297	361	2	2	32.9
	420	106	4	4	1080	2080	2000	NN3056	NN3056K	-	404	3	3	49.5
	420	106	4	4	1080	2080	2000	NNU3056	-	302	395	3	3	51.4
	420	140	4	4	1650	3150	1400	NNU4056	NNU4056K	309	404	3	3	66.5
	460	146	5	5	1520	2790	1200	NN3156	NN3156K	306	431	4	4	95.7
	460	180	5	5	2550	4750	1200	NNU4156	NNU4156K30	318	440	4	4	120
300	380	80	2.1	2.1	583	1560	1600	NNU4860	NNU4860K	320	369	2	2	22.0
	420	118	3	3	1020	2360	2000	NNU4960	NNU4960K	335	406	2.5	2.5	50.0
	420	118	3	3	1020	2360	2000	NN4960	NN4960K	320	398	2.5	2.5	51.6
	420	150	1.5	1.5	1870	4500	1600	NNU5960X2	-	328	412	1.5	1.5	55.5
	460	118	4	4	1250	2400	1900	NN3060	NN3060K	-	444	3	3	68.5
	460	160	4	4	1920	4100	1300	NNU4060	NNU4060K	333	444	3	3	96.0
	460	160	4	4	1920	4100	1300	NN4060	NN4060K	323	435	3	3	97.6
	500	160	5	5	1760	3150	1100	NN3160	NN3160K	327	470	4	4	125
	500	160	5	5	1760	3150	1100	NNU3160	-	327	470	4	4	126
	500	200	5	5	2860	5300	1100	NNU4160	NNU4160K30	344	480	4	4	155
320	400	80	2.1	2.1	765	2080	1500	NNU4864	NNU4864K	340	389	2	2	23.5
	440	118	3	3	1060	2500	1400	NNU4964	NNU4964K	355	426	2.5	2.5	53.0
	440	118	3	3	1060	2500	1400	NNUP4964	-	-	426	2.5	2.5	55.5
	440	118	3	3	1060	2500	1400	NN4964	NN4964K	340	418	2.5	2.5	50.2
	480	121	4	4	1320	2600	1800	NN3064	NN3064K	-	464	3	3	74.0
	480	121	4	4	1320	2600	1800	NNU3064	NNU3064K	343	454	3	3	76.9
480	160	4	4	2120	4300	1200	NNU4064	NNU4064K	353	464	3	3	100	
320	480	175	1.5	1.5	2460	5400	1200	NNU4064X2	-	359	472	1.5	1.5	115
	540	176	5	5	2090	3750	1000	NNU3164	NNU3164K	347	509	4	4	154
	540	218	5	5	3410	6200	1000	NNU4164	NNU4164K30	365	520	4	4	200

双列圆柱滚子轴承 (Double-Row Cylindrical Roller Bearings)

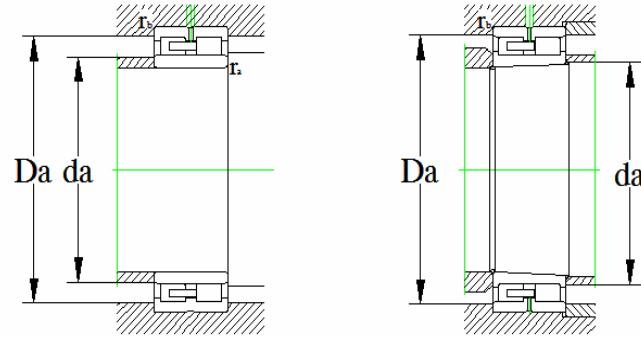
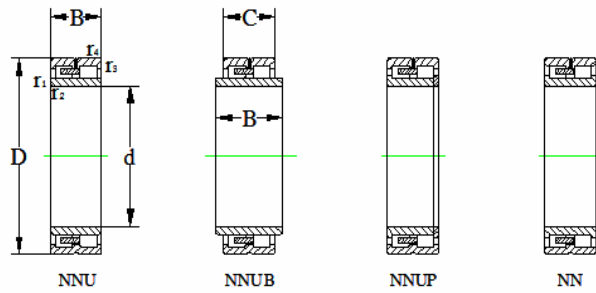
WRT



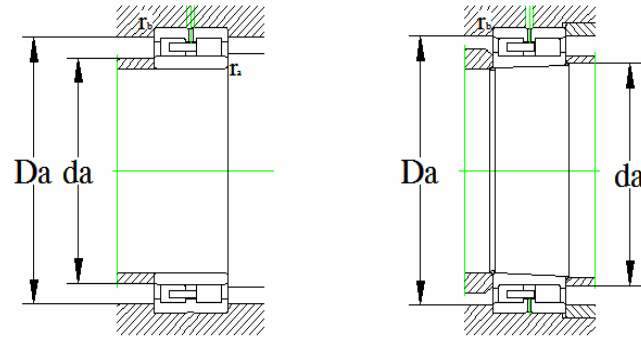
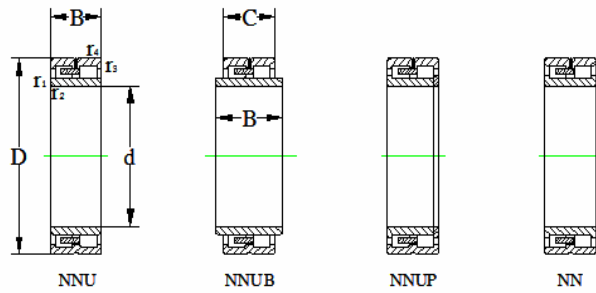
基本尺寸 (mm) Boundary Dimensions					基本额定载荷 (kN) Basic Load Ratings		极限转速 (rpm) Speed Ratings	轴承代号 Bearing Numbers		相关安装尺寸 (mm) Abutment and Fillet Dimensions				质量 (kg) Mass (参考) Refer.
d	D	B/C	r _{1,2min}	r _{3,4min}	Cr	C _{or}		圆柱孔内径 Cylindrical bore	圆锥孔内径 Tapered bore	d _{amax}	D _{amax}	r _{amax}	r _{bmax}	
340	420	80	2.1	2.1	644	1830	1400	NNU4868	NNU4868K	360	409	2	2	25.0
	420	80	2.1	2.1	644	1830	1400	NNUP4868	-	-	408	2	2	24.5
	460	90	3	3	905	2020	1700	NN3968	NN3968K	361	438	2.5	2.5	42.9
	460	118	3	3	1100	2650	1700	NNU4968	NNU4968K	375	446	2.5	2.5	56.0
	460	118	3	3	1100	2650	1700	NN4968	NN4968K	361	438	2.5	2.5	52.1
	520	133	5	5	1670	3300	1600	NN3068	NN3068K	368	490	4	4	102
340	520	133	5	5	1670	3300	1600	NNU3068	-	368	490	4	4	103
	520	180	5	5	2550	5100	1100	NNU4068	NNU4068K	377	500	4	4	140
	520	305/20	5	5	3300	7100	1100	NNUB4068X2-305	-	374	500	4	4	185
	580	243	5	5	4020	7500	950	NNU4168	NNU4168K30	392	560	4	4	260
360	480	90	3	3	930	2130	1700	NN3972	-	381	457	2.5	2.5	44.9
	480	118	3	3	1120	2800	1700	NNU4972	NNU4972K	395	466	2.5	2.5	58.5
	540	134	5	5	1720	3450	1500	NN3072	NN3072K	-	520	4	4	105
	540	134	5	5	1700	3450	1500	NNU3072	-	388	509	4	4	108
	540	180	5	5	2530	5450	1100	NNU4072	NNU4072K	397	520	4	4	140
	540	180	5	5	2530	5450	1100	NN4072	NN4072K	388	509	4	4	132
	600	243	5	5	4290	8500	900	NNU4172	NNU4172K30	414	580	4	4	275
380	480	100	2.1	2.1	952	2550	1200	NNU4876	NNU4876K	406	469	2	2	44.0
	520	140	4	4	1450	3600	1500	NNU4976	NNU4976K	421	504	3	3	87.5
	520	140	4	4	1450	3600	1500	NN4976	NN4976K	404	493	3	3	81.3
	560	135	5	5	1680	3450	1500	NN3076	NN3076K	-	540	4	4	110
	560	180	5	5	2650	6200	1000	NNU4076	NNU4076K	417	540	4	4	150
	560	180	5	5	2650	6200	1000	NN4076	NN4076K	408	529	4	4	142
	620	194	5	5	2620	4950	850	NN3176	NN3176K	408	588	4	4	224
	620	243	5	5	4290	8500	850	NNU4176	NNU4176K30	434	600	4	4	285
400	500	100	2.1	2.1	968	2750	1200	NNU4880	NNU4880K	426	489	2	2	46.0

双列圆柱滚子轴承 (Double-Row Cylindrical Roller Bearings)

WRT



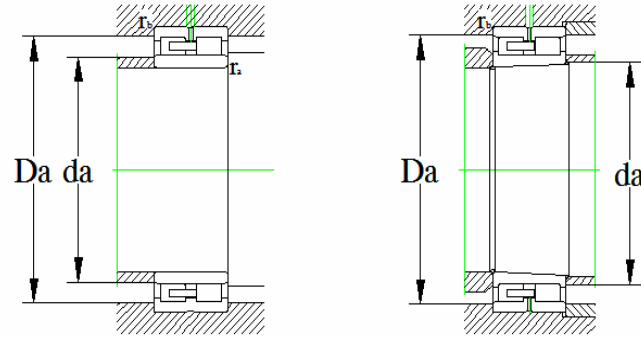
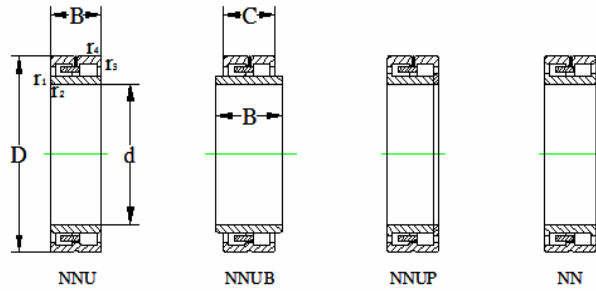
基本尺寸 (mm) Boundary Dimensions					基本额定载荷 (kN) Basic Load Ratings		极限转速 (rpm) Speed Ratings	轴承代号 Bearing Numbers		相关安装尺寸 (mm) Abutment and Fillet Dimensions				质量 (kg) Mass (参考) Refer.	
d	D	B/C	r _{1,2min}	r _{3,4min}	Cr	C _{or}		圆柱孔内径 Cylindrical bore	圆锥孔内径 Tapered bore	d _{amax}	D _{amax}	r _{amax}	r _{bmax}		
400	500	100	2.1	2.1	968	2750	1200	NNUP4880	-	-	488	2	2	45.5	
	540	106	4	4	1290	2890	1500	NN3980	-	425	513	3	3	68.7	
	540	140	4	4	1470	3800	1500	NNU4980	NNU4980K	441	524	3	3	91.5	
	540	140	4	4	1470	3800	1500	NN4980	NN4980K	425	513	3	3	84.1	
	600	148	5	5	2160	4500	1400	NN3080	NN3080K	-	580	4	4	140	
	600	200	5	5	3470	7200	950	NNU4080	NNU4080K	440	580	4	4	205	
	650	250	6	6	4730	9500	800	NNU4180	NNU4180K30	456	624	5	5	325	
	420	520	100	2.1	2.1	990	2850	1000	NNU4884	NNU4884K	446	509	2	2	48.0
		560	106	4	4	1280	2900	900	NN3984	-	445	533	3	3	71.2
		560	140	4	4	1510	4000	1400	NNU4984	NNU4984K	461	544	3	3	95.5
560		140	4	4	1510	4000	1400	NN4984	NN4984K	445	533	3	3	87.9	
620		150	5	5	2120	4500	1300	NN3084	NN3084K	-	600	4	4	145	
620		150	5	5	2120	4500	1300	NNU3084	NNU3084K	449	588	4	4	155	
620		200	5	5	3150	7100	900	NNU4084	NNU4084K	460	600	4	4	183	
620		200	5	5	3150	7100	900	NN4084	NN4084K	449	588	4	4	189	
620		260	6	6	4290	10200	900	NNUP5084X2	-	-	594	5	5	280	
650		200	6	6	2770	5400	800	NNU3184	-	435	611	5	5	262	
700	280	6	6	5500	11400	750	NNU4184	NNU4184K30	480	674	5	5	440		
440	540	100	2.1	2.1	1010	2900	1000	NNU4888	NNU4888K	464	529	2	2	50.0	
	600	160	4	4	2050	5200	1300	NNU4988	NNU4988K	484	584	3	3	130	
	650	157	6	6	2360	4900	1200	NN3088	NN3088K	-	624	5	5	170	
	650	157	6	6	2360	4900	1200	NNU3088	-	476	611	5	5	178	
	650	212	6	6	3910	8300	850	NNU4088	NNU4088K	477	624	5	5	215	
	700	224	6	6	3550	6800	800	NNU3184	-	455	660	5	5	347	
	720	280	6	6	5720	11800	700	NNU4188	NNU4188K30	500	694	5	5	450	
	460	580	118	3	3	1190	3250	1000	NNU4892	NNU4892K	489	566	2.5	2.5	75.0
		620	118	4	4	1610	3700	1200	NN3992	NN3992K	486	591	3	3	94.5



基本尺寸 (mm) Boundary Dimensions					基本额定载荷 (kN) Basic Load Ratings		极限转速 (rpm) Speed Ratings	轴承代号 Bearing Numbers		相关安装尺寸 (mm) Abutment and Fillet Dimensions				质量 (kg) Mass (参考) Refer.
d	D	B/C	r _{1.2min}	r _{3.4min}	Cr	C _{or}		圆柱孔内径 Cylindrical bore	圆锥孔内径 Tapered bore	d _{amax}	D _{amax}	r _{amax}	r _{bmax}	
460	620	160	4	4	2090	5500	1200	NNU4992	NNU4992K	504	604	3	3	135
	680	163	6	6	2600	5500	1200	-	NN3092K	-	654	5	5	195
	680	218	6	6	4290	9000	800	NNU4092	NNU4092K	503	654	5	5	240
	720	226	6	6	3500	6800	750	NN3192	NN3192K	476	680	5	5	357
	760	300	7.5	7.5	6440	13200	670	NNU4192	NNU4192K30	526	727	6	6	535
480	650	170	5	5	2330	6100	1200	NNU4996	NNU4996K	528	630	4	4	160
	650	170	5	5	2330	6100	1200	NN4996	NN4996K	510	617	4	4	164
	700	165	6	6	2700	5850	1100	NN3096	NN3096K	-	674	5	5	200
700	218	6	6	4400	9650	750	NNU4096	NNU4096K	523	674	5	5	275	
	260	6	6	5390	12500	750	NNU5096X2	-	527	674	5	5	345	
	248	7.5	7.5	4050	8100	630	NN3196	NN3196K	523	742	6	6	447	
	308	7.5	7.5	7040	14300	630	NNU4196	NNU4196K30	545	757	6	6	590	
	790	308	7.5	7.5	7040	14300	630	NNU4196	NNU4196K30	545	757	6	6	590
500	670	170	5	5	2330	6100	1100	NNU49/500	NNU49/500K	548	650	4	4	165
	700	170	5	5	2700	5400	800	NN49/500X1	-	549	680	4	4	210
	720	167	6	6	2580	5600	1100	NN30/500	NN30/500K	-	694	5	5	210
720	167	6	6	2580	5600	1100	NNU30/500	-	537	680	5	5	220	
	218	6	6	4460	10000	750	NNU40/500	NNU40/500K	543	694	5	5	285	
	830	325	7.5	7.5	7480	15000	600	NNU41/500	NNU41/500K30	568	797	6	6	710
530	710	136	5	5	2040	4900	1000	NNU39/500	-	561	676	4	4	149
	710	180	5	5	2860	7800	1000	NNU49/530	NNU49/530K	582	690	4	4	200
	710	180	5	5	2860	7800	1000	NN49/530	NN49/530K	561	676	4	4	202
780	185	6	6	3200	6900	1000	NN30/530	NN30/530K	-	754	5	5	270	
	185	6	6	3200	6900	1000	NNU30/530	NNU30/530K	568	738	5	5	296	
	250	6	6	5500	12200	670	NNU40/530	NNU40/530K	580	754	5	5	420	
	335	7.5	7.5	7810	16000	560	NNU41/530	NNU41/530K30	604	837	6	6	790	
	870	335	7.5	7.5	7810	16000	560	NNU41/530	NNU41/530K30	604	837	6	6	790
560	750	190	5	5	3190	8650	950	NNU49/560	NNU49/560K	619	730	4	4	235
	820	195	6	6	3690	8000	900	NN30/560	NN30/560K	-	794	5	5	315

双列圆柱滚子轴承 (Double-Row Cylindrical Roller Bearings)

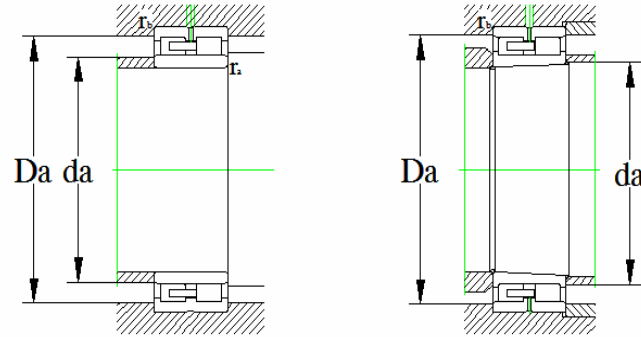
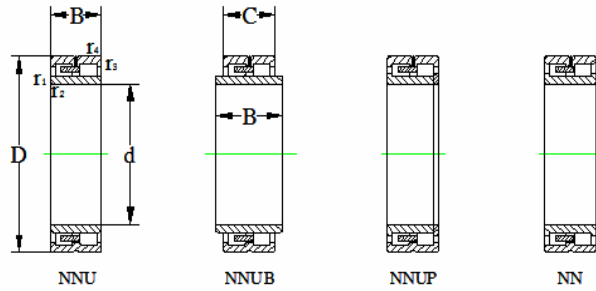
WRT



基本尺寸 (mm) Boundary Dimensions					基本额定载荷 (kN) Basic Load Ratings		极限转速 (rpm) Speed Ratings	轴承代号 Bearing Numbers		相关安装尺寸 (mm) Abutment and Fillet Dimensions				质量 (kg) Mass (参考) Refer.
d	D	B/C	r _{1,2min}	r _{3,4min}	Cr	C _{or}		圆柱孔内径 Cylindrical bore	圆锥孔内径 Tapered bore	d _{amax}	D _{amax}	r _{amax}	r _{bmax}	
560	820	258	6	6	4100	10600	630	NNU40/560	NNU40/560K	615	794	5	5	475
	820	258	6	6	4100	10600	630	NN40/560	-	598	778	5	5	472
	920	280	7.5	7.5	6850	13700	530	NNU31/560	-	604	870	6	6	738
	920	355	7.5	7.5	8800	18300	530	NNU41/560	NNU41/560K30	638	887	6	6	930
600	800	200	5	5	3580	10200	900	NNU49/600	NNU49/600K	662	780	4	4	280
	870	200	6	6	3800	8650	850	NN30/600	NN30/600K	-	844	5	5	355
	870	272	6	6	6820	15600	600	NNU40/600	NNU40/600K	653	844	5	5	530
	980	375	7.5	7.5	9900	21100	480	NNU41/600	NNU41/600K30	682	947	6	6	1100
630	780	150	4	4	2290	7000	800	NNU48/630	-	659	748	3	3	160
	850	218	6	6	4020	11400	850	NNU49/630	NNU49/630K	699	824	5	5	355
	850	218	6	6	4020	11400	850	NN49/630	NN49/630K	670	807	5	5	328
	920	212	7.5	7.5	4290	9800	800	NN30/630	NN30/630K	-	887	6	6	430
670	900	230	6	6	4150	11500	800	NNU49/670	NNU49/670K	732	874	5	5	410
	900	230	6	6	4150	11500	800	NN49/670	-	710	856	5	5	419
	980	230	7.5	7.5	5010	11400	750	NN30/670	NN30/670K	-	947	6	6	530
	980	308	7.5	7.5	8420	19600	500	NNU40/670	NNU40/670K	733	947	6	6	765
710	1090	412	7.5	7.5	12100	25500	430	NNU41/670	NNU41/670K30	756	1057	6	6	1500
	870	160	4	4	2640	8350	750	NNU48/710	-	741	836	3	3	203
	950	243	6	6	5390	15300	700	NNU49/710	NNU49/710K	776	924	5	5	480
	1030	236	7.5	7.5	5720	13200	670	NN30/710	NN30/710K	-	997	6	6	590
750	1030	315	7.5	7.5	9350	21600	480	NNU40/710	NNU40/710K	772	997	6	6	850
	1150	438	9.5	9.5	13400	28500	380	NNU41/710	NNU41/710K30	800	1110	8	8	1790
750	920	170	5	5	3410	10200	550	NN48/750	NN48/750K	-	904	4	4	240
	1000	250	6	6	5500	16000	670	NNU49/750	NNU49/750K	824	974	5	5	540
	1090	250	7.5	7.5	7040	16000	630	NN30/750	NN30/750K	-	1057	6	6	705

双列圆柱滚子轴承 (Double-Row Cylindrical Roller Bearings)

WRT



基本尺寸 (mm) Boundary Dimensions					基本额定载荷 (kN) Basic Load Ratings		极限转速 (rpm) Speed Ratings	轴承代号 Bearing Numbers		相关安装尺寸 (mm) Abutment and Fillet Dimensions				质量 (kg) Mass (参考) Refer.
d	D	B/C	r _{1,2min}	r _{3,4min}	Cr	C _{or}		圆柱孔内径 Cylindrical bore	圆锥孔内径 Tapered bore	d _{amax}	D _{amax}	r _{amax}	r _{bmax}	
750	1090	335	7.5	7.5	10200	24000	430	NNU40/750	NNU40/750K	816	1057	6	6	925
	1220	475	9.5	9.5	16100	35500	360	NNU41/750	NNU41/750K30	850	1180	8	8	2230
800	1060	258	6	6	5830	17000	380	NNU49/800	NNU49/800K	876	1034	5	5	615
	1150	258	7.5	7.5	7810	18000	360	NN30/800	NN30/800K	-	1117	6	6	790
	1150	345	7.5	7.5	10800	26000	360	NNU40/800	NNU40/800K	871	1117	6	6	1140
	1280	475	9.5	9.5	16500	36500	340	NNU41/800	NNU41/800K30	900	1240	8	8	2390
850	1030	180	5	5	3400	11400	370	NNU48/850	-	888	989	4	4	310
	1120	272	6	6	5940	18000	360	NNU49/850	NNU49/850K	930	1094	5	5	360
	1220	272	7.5	7.5	7920	18600	340	NN30/850	NN30/850K	-	1187	6	6	480
	1220	365	7.5	7.5	11700	28500	340	NNU40/850	NNU40/850K	923	1187	6	6	300
900	1180	280	6	6	6600	20000	340	NNU49/900	NNU49/900K	977	1154	5	5	805
	1280	280	7.5	7.5	8250	20000	320	NN30/900	NN30/900K	-	1257	6	6	1050
	1280	375	7.5	7.5	12800	31500	320	NNU40/900	NNU40/900K	963	1257	6	6	1500
950	1250	300	7.5	7.5	7370	22400	320	NNU49/950	NNU49/950K	1036	1217	6	6	960
	1360	300	7.5	7.5	9130	22400	310	NN30/950	NN30/950K	-	1327	6	6	1300
	1360	412	7.5	7.5	14200	35500	310	NNU40/950	NNU40/950K	1033	1327	6	6	1900
1000	1320	315	7.5	7.5	8580	26000	300	NNU49/1000	NNU49/1000K	1096	1287	6	6	1250
	1320	315	7.5	7.5	8580	26000	300	NN49/1000	NN49/1000K	-	1287	6	6	1200
	1420	308	7.5	7.5	10100	24500	290	NN30/1000	NN30/1000K	-	1387	6	6	1400
	1420	412	7.5	7.5	15400	38000	290	NNU40/1000	NNU40/1000K	1084	1387	6	6	2000
1060	1400	335	7.5	7.5	10500	30500	290	NNU49/1060	NNU49/1060K	1150	1367	6	6	1350
	1500	325	9.5	9.5	11000	27500	290	NN30/1060	NN30/1060K	-	1460	8	8	1650
1120	1460	335	7.5	7.5	10500	31500	270	NNU49/1120	NNU49/1120K	1210	1427	6	6	1450
1180	1540	355	7.5	7.5	11900	36000	260	NNU49/1180	NNU49/1180K	1270	1507	6	6	1650
1320	1720	400	7.5	7.5	13800	42500	230	NNU49/1320	NNU49/1320K	1420	1687	6	6	3100
	1720	400	7.5	7.5	13800	42500	230	NN49/1320	NN49/1320K	-	1687	6	6	3060